

## RECOMMENDED FOR USE IN:

Carriageways carrying continuous heavy traffic where frequent access and maintenance is required.

A single piece captive hinge makes maintenance and cleaning operations easier and also prevents theft of the product. Available in a choice of left hand, right hand or kerb-facing hinge orientations, the Watershed grating range can be used on any road, including one-way systems.



Product EDWS43EK shown



### HEALTH & SAFETY

To help reduce work-related injuries, an ergonomic hinged design makes opening simpler, easier and safer to access the drainage network



### ACCREDITATION

Third party certified by BSI and kite marked to the requirements of BS EN 124. Compliant to the requirements of Highways England advice note HA104/09



### SECURITY

A captive hinged grating offers improved anti-theft and security capabilities



### PERFORMANCE

The unit is non rock and silent in operation. Large multi-directional wedge seatings enhance stability and durability which reduces whole life costs



### WATER CLEARING EFFICIENCY

An efficient water clearing capacity aids the effective removal of surface water



### SAVE TIME & COST

Most sizes are available with the Install Plus frame levelling and installation system as standard

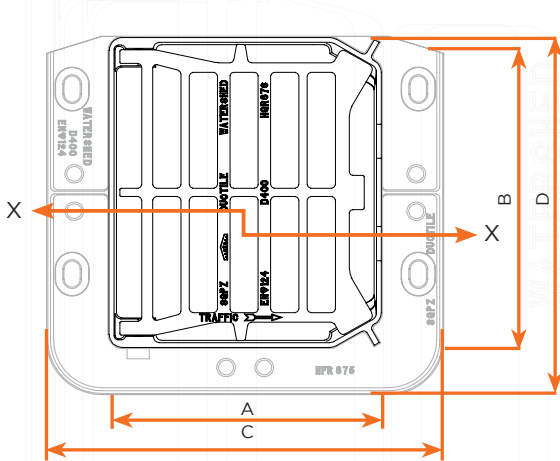
## WATERSHED D400 HINGED GRATING RANGE - END HINGED

SAP CODE		SAP CODE WITH INSTALL PLUS+		BS EN124 CLASS	CLEAR OPENING A x B (mm)	OVER BASE C x D (mm)	DEPTH E (mm)	WATERWAY AREA (cm <sup>2</sup> )	HA102 GRATING REF.	TOTAL MASS (kg)	PALLET QTY	PREVIOUS REF.	
L/H OPENING	R/H OPENING	L/H OPENING	R/H OPENING									L/H OPENING	R/H OPENING
220325	220324	255538	TBC	D400	370 x 430	575 x 525	100	1090	R	35.5	20	HR876 1	HQ876 1
* 186860	186861	TBC	TBC	D400	370 x 430	575 x 525	100	1020	R	34.4	20	H875L 1	H875R 1
256133	N/A	N/A	N/A	D400	445 x 400	595 x 488	100	1186	R	42.9	20	HR850 1	N/A
266317	266318	TBC	TBC	D400	454 x 454	600 x 540	100	1221	Q	48	20	HR832 1	HR834 1
266319#	266320#	TBC	TBC	D400	454 x 454	630 x 562	150	1221	Q	62	20	HR833 1	HR835 1
241109	N/A	TBC	N/A	D400	510 x 360	664 x 454	100	1225	R	43.7	20	HR815 1	N/A
239857	239858	255500	TBC	D400	600 x 450	750 x 540	100	1850	Q	51.8	10	HR840 1	HQ840 1
** 244030	N/A	TBC	N/A	D400	600 x 450	750 x 540	100	1850	Q	52.7	10	H840L 1W	N/A

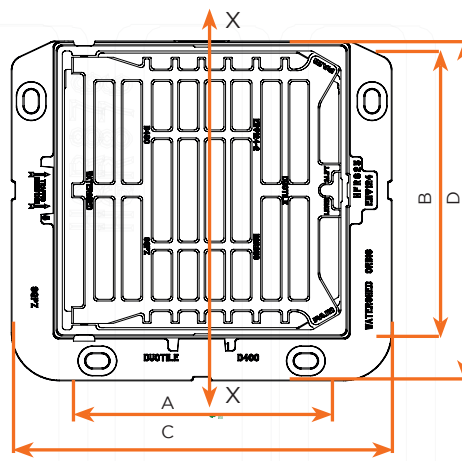
### END HINGED

ROADSIDE KERB

DIRECTION OF TRAFFIC →



SECTION ON X-X  
Product 220325 shown



SECTION ON X-X  
Product 266317 shown

The opening orientation is determined by the direction of traffic flow when viewed from the kerb as indicated in the drawing (left) and defined as:

Left hand opening - hinged on the right.

Right hand opening - hinged on the left.

+ For Install Plus details see Install Plus information sheet #266319, 266320 & 257812 have a 75mm flange

\* Locked Units using Spring Clip

\*\* Locked Unit using Spring Arm

For details of the Watershed Orbis Pedestrian grating variant please refer to datasheet reference number SGPUK007

Produced at Holwell Works, UK

The information on this sketch is, to the best of our knowledge correct at the time of printing. However Saint-Gobain are constantly looking at ways of improving their products and services therefore reserve the right to change without prior notice, any of the data shown. Any orders placed will be subject to our Standard Conditions of Sale, available on request.

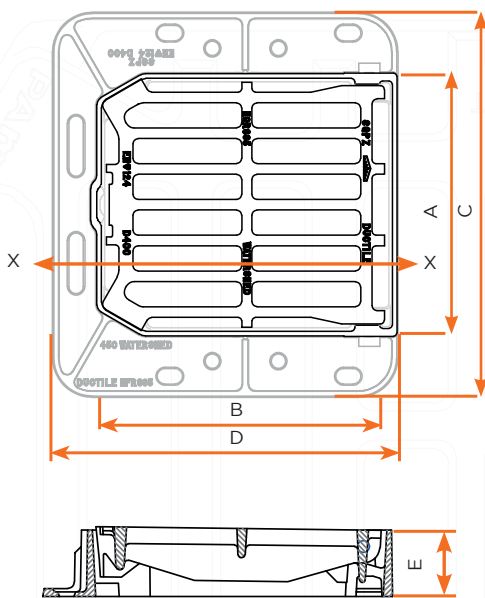
COPYRIGHT AND DESIGN RIGHT

This drawing is the exclusive property of Saint-Gobain PAM UK and is confidential and must not be reproduced or disclosed for any third party without written consent. It must be used only for the purpose for which it has been issued and is returnable on request.

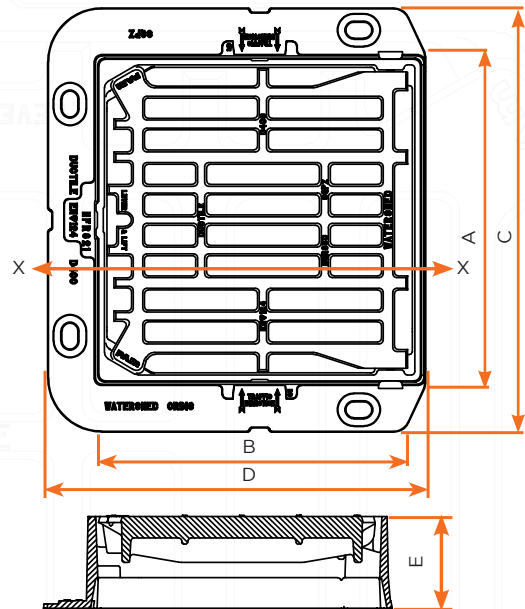
## WATERSHED D400 HINGED GRATING RANGE - KERB HINGED

SAP CODE	SAP CODE WITH INSTALL PLUS+	BS EN124 CLASS	CLEAR OPENING A x B (mm)	OVER BASE C x D (mm)	DEPTH E (mm)	WATERWAY AREA (cm <sup>2</sup> )	HA102/00 GRATE TYPE	TOTAL MASS (kg)	PREVIOUS REF.
EDWS43EK	255537	D400	370 x 430	590 x 525	100	980	R	35.7	HR865 1
187136	N/A	D400	370 x 430	630 x 575	100	980	R	48.2	HR863 1
257782	TBC	D400	454 x 454	600 x 540	100	1221	R	48	HR830 1
257812#	TBC	D400	454 x 454	630 x 562	100	1221	R	62	HR831 1

### KERB HINGED



SECTION ON X-X  
Product EDWS43EK shown



SECTION ON X-X  
Product 257812 shown

+ For Install Plus details see Install Plus information sheet #266319, 266320 & 257812 have a 75mm flange

\* Locked Units using Spring Clip

\*\* Locked Unit using Spring Arm

For details of the Watershed Orbis Pedestrian grating variant please refer to datasheet reference number SGPUK007

Produced at Holwell Works, UK

The information on this sketch is, to the best of our knowledge correct at the time of printing. However Saint-Gobain are constantly looking at ways of improving their products and services therefore reserve the right to change without prior notice, any of the data shown. Any orders placed will be subject to our Standard Conditions of Sale, available on request.

COPYRIGHT AND DESIGN RIGHT

This drawing is the exclusive property of Saint-Gobain PAM UK and is confidential and must not be reproduced or disclosed for any third party without written consent. It must be used only for the purpose for which it has been issued and is returnable on request.