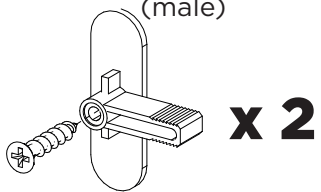


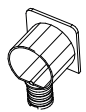
### Fittings

Dummy Drawer Clip (male)



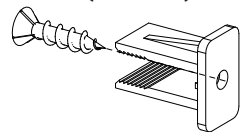
**x 2**

Turn Fastener



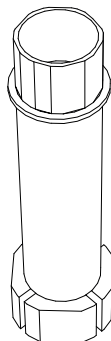
**x 4**

Dummy Drawer Clip (female)



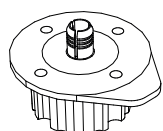
**x 2**

Adjustable Leg



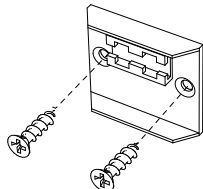
**x 4**

Leg boss



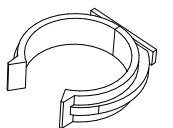
**x 4**

Plinth Clip



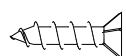
**x 2**

Circular Leg Clip



**x 2**

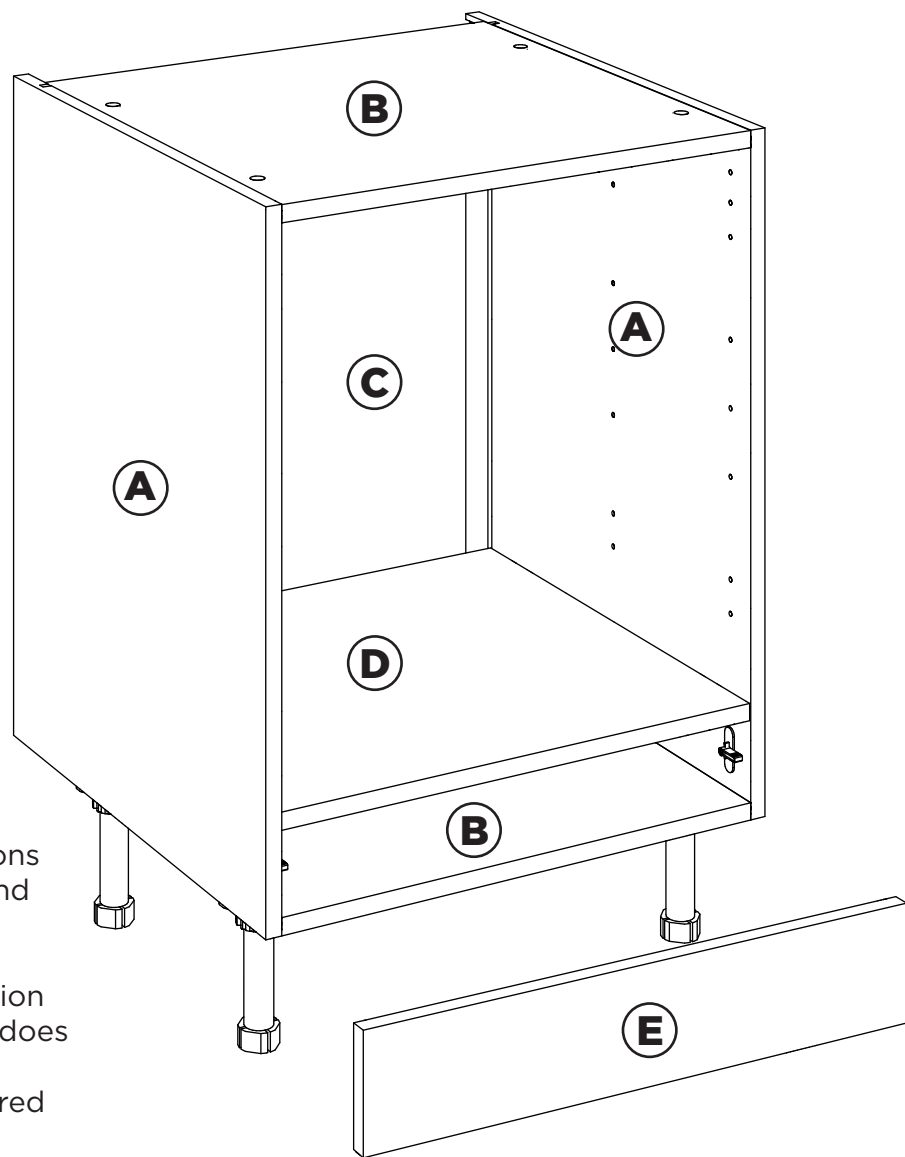
N15mm Screw



**x 8**

- (A)** Base End Panel
- (B)** Top/Bottom Panel
- (C)** Back Panel
- (D)** Shelf
- (E)** Door

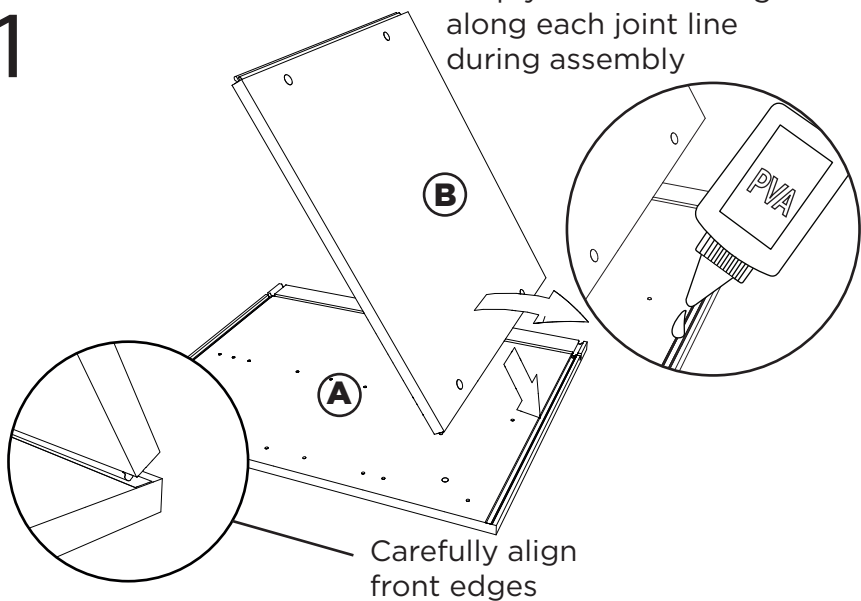
**!** Please note the fitting instructions supplied with your appliance, and pay special attention to the manufacturer's installation requirements regarding ventilation and air circulation. If your oven does not have fan assisted cooling, additional cutting may be required to the cabinet top and bottom panels to create the required ventilations - thus ensuring your oven does not overheat.



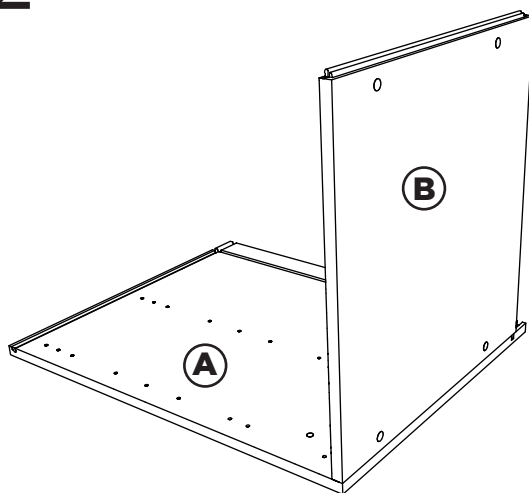
### Assembly

We recommend using PVA glue for an additional bond - simply run a bead of glue along each joint line during assembly

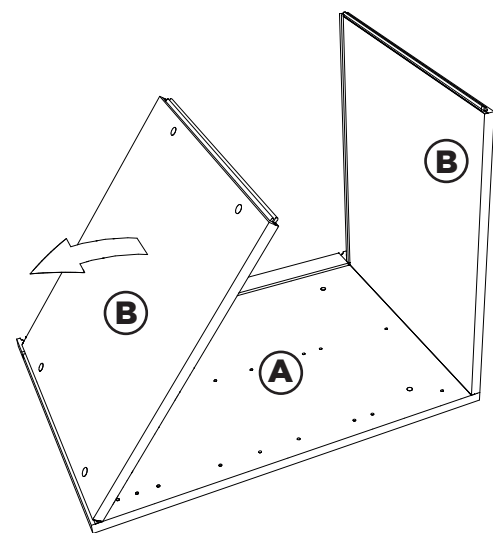
**1**



**2**

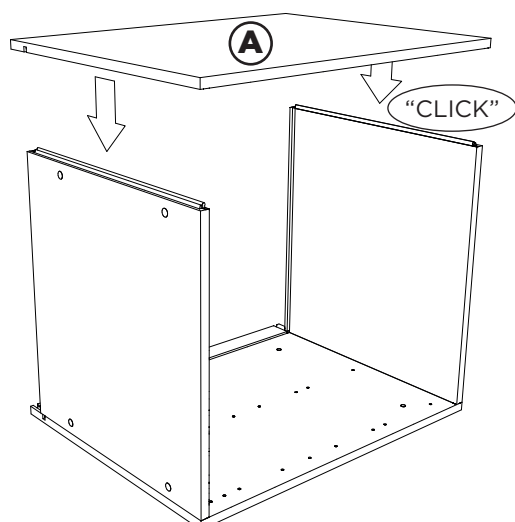


**3**



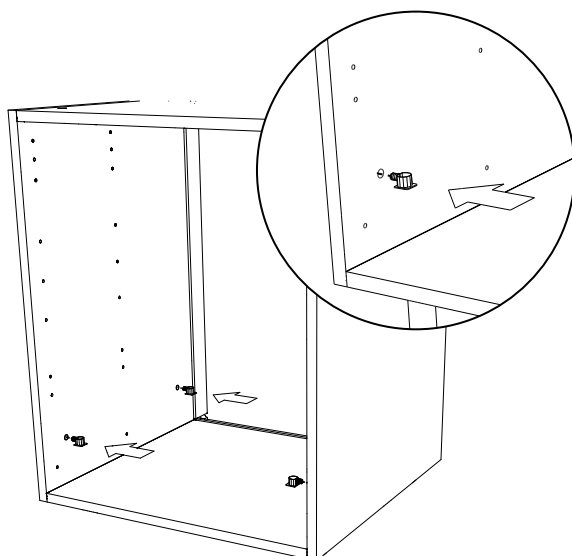
**4**

Press end panel A into top/bottom panels B and gently tap with a mallett



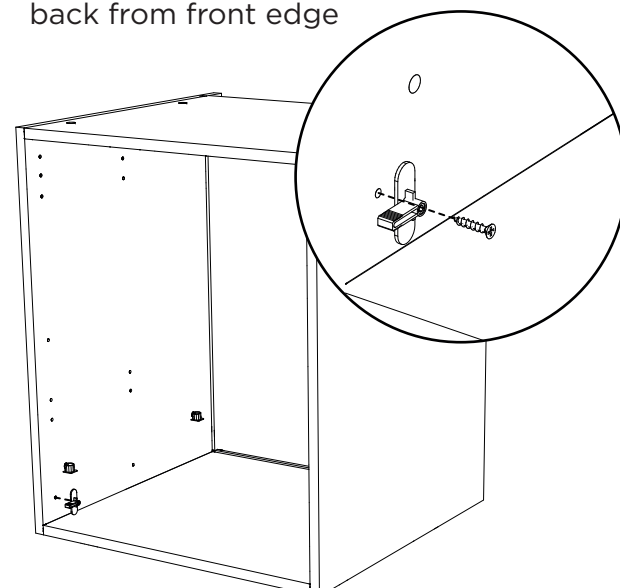
**5**

Insert shelf studs

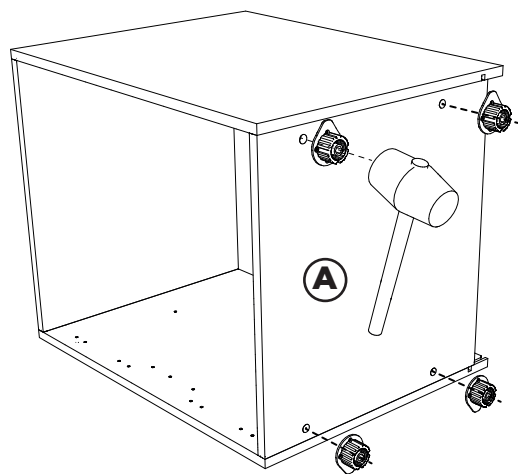


**6**

Screw dummy drawer clip (female) to ends. Mark and measure 37mm back from front edge



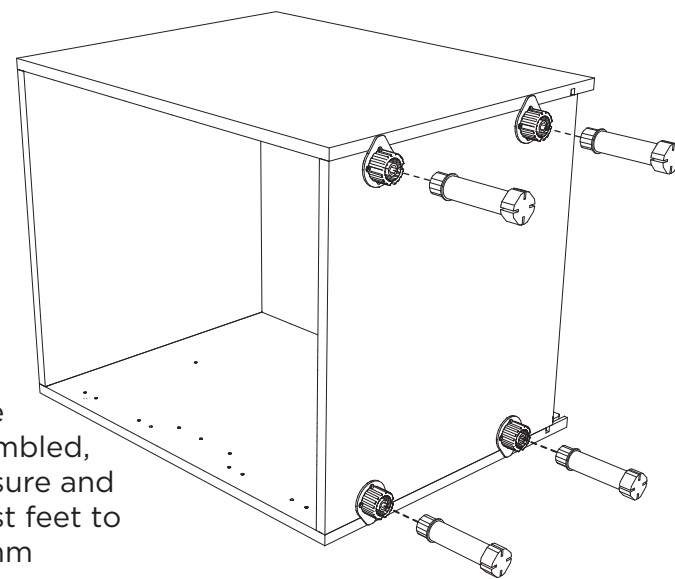
7



Gently tap leg boss into place

8

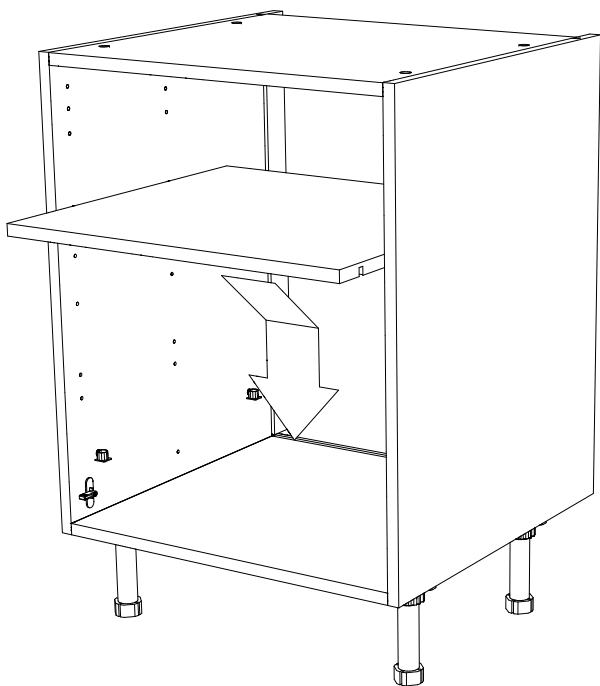
Insert legs into boss



Once assembled, measure and adjust feet to 150mm

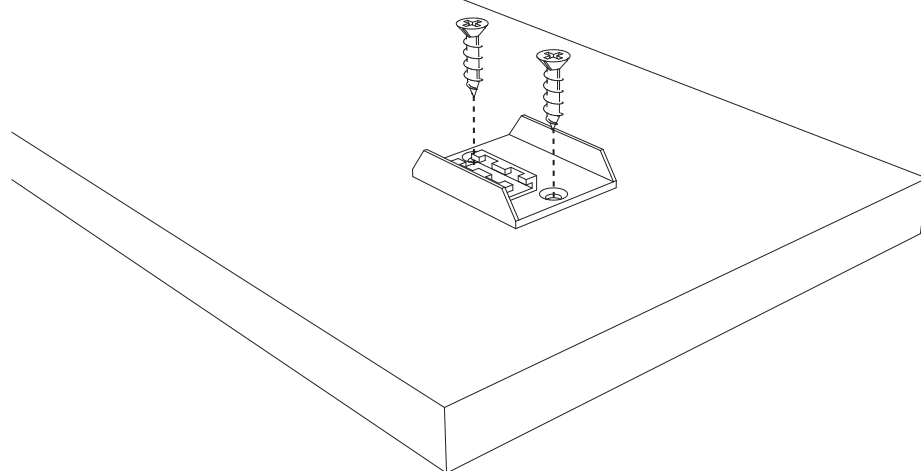
9

Slide shelf into place



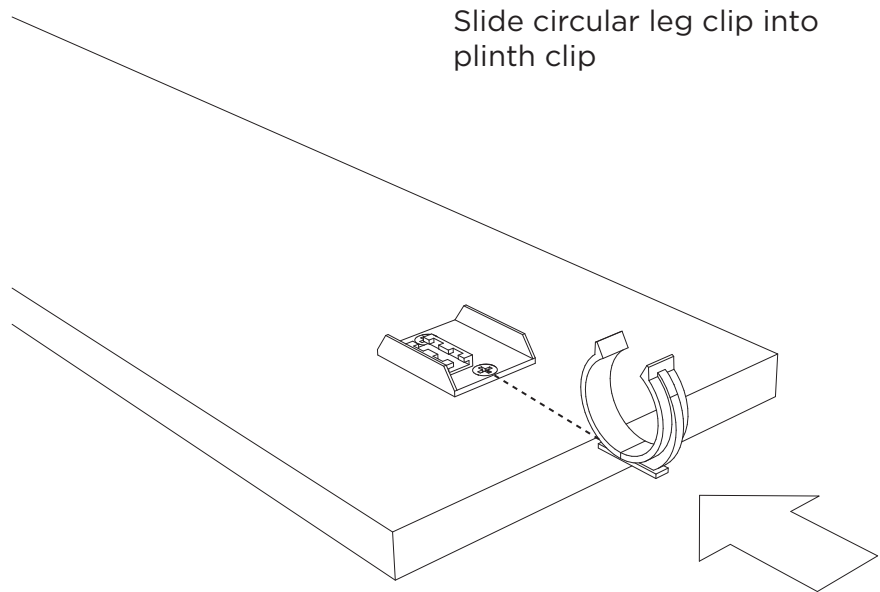
10

Attach plinth clip to plinth



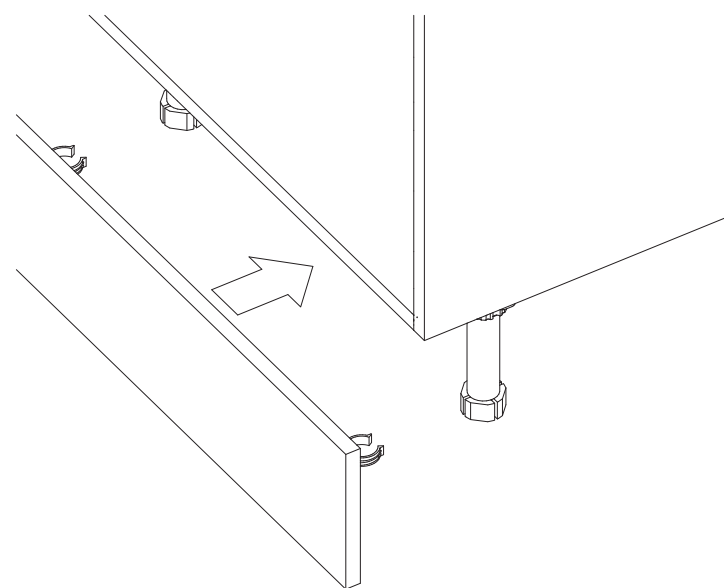
11

Slide circular leg clip into plinth clip



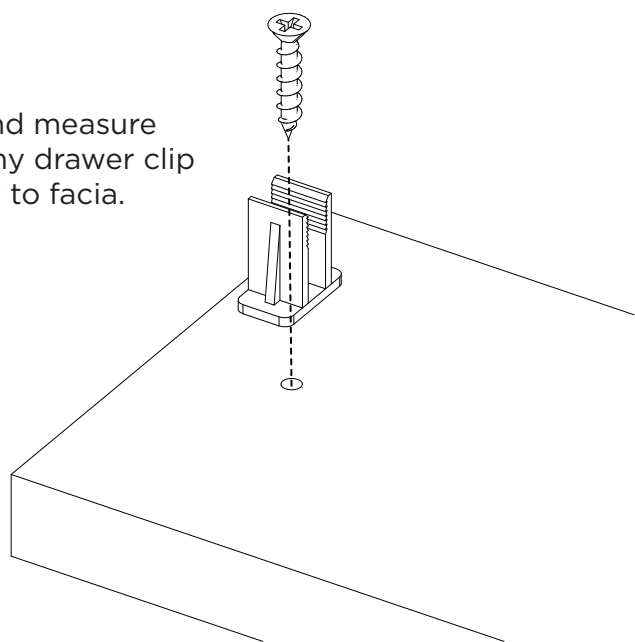
12

Fix plinth into place



13

Carefully mark and measure position of dummy drawer clip (male) and screw to fascia.



14

Attach fascia

