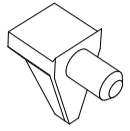


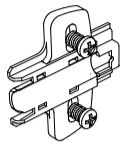
Fittings

Shelf Stud



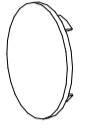
x 10

Hinge Mounting Plate



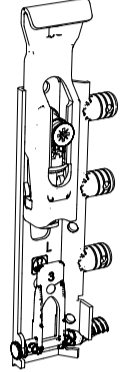
x 4

Cover Gap



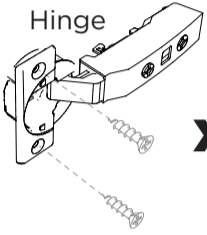
x 4

Cabinet Hanger



LH x 1
RH x 1

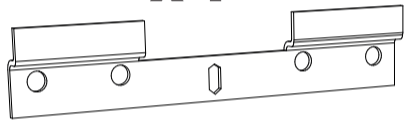
Standard Hinge



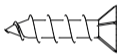
x 4

Wall Plate

x 1

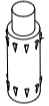


N 15mm
Screws



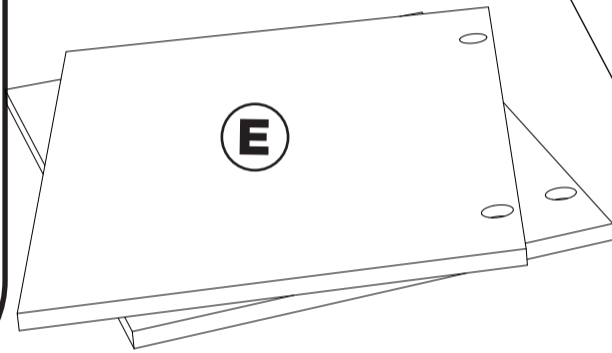
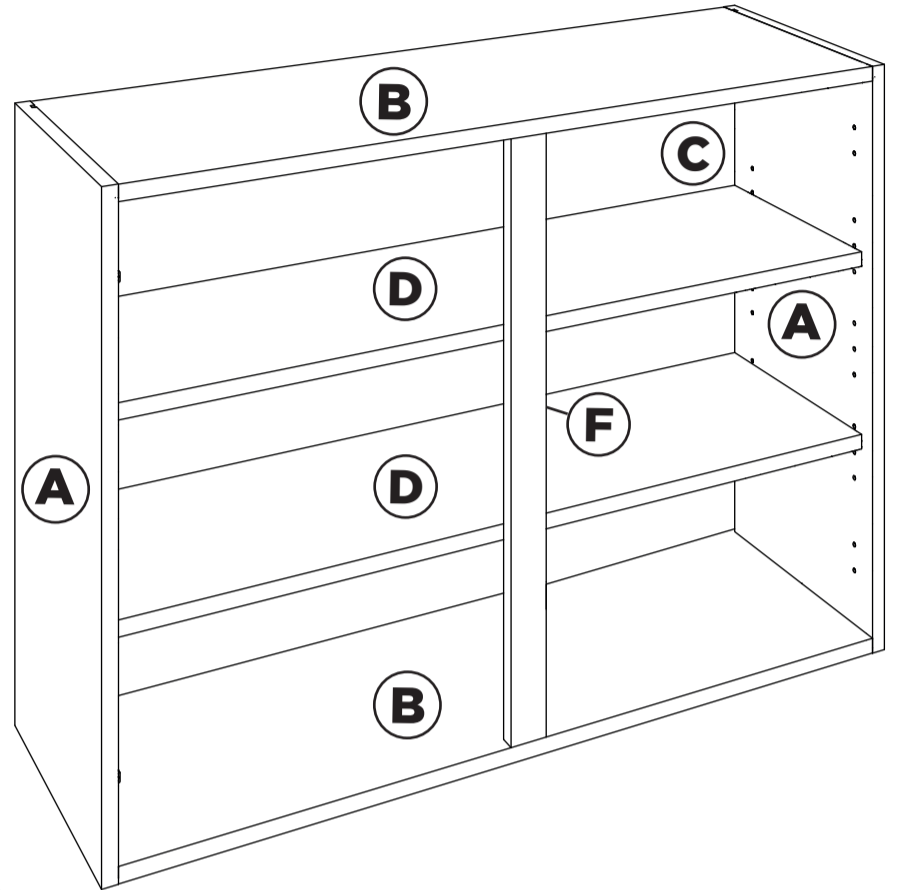
x 8

Springfit
Dowel



x 2

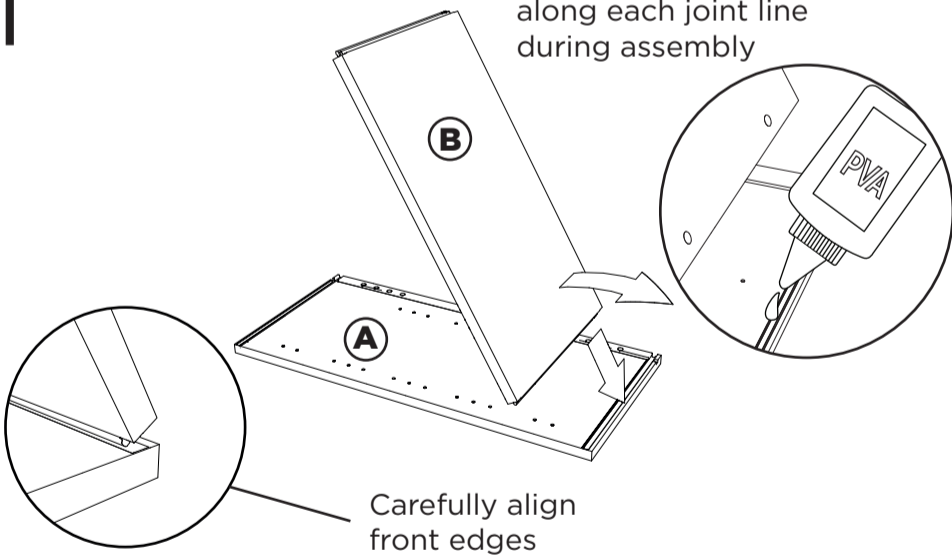
- (A)** Wall End Panel
- (B)** Top/Bottom Panel
- (C)** Back Panel
- (D)** Shelf
- (E)** Door
- (F)** Centre Mullion



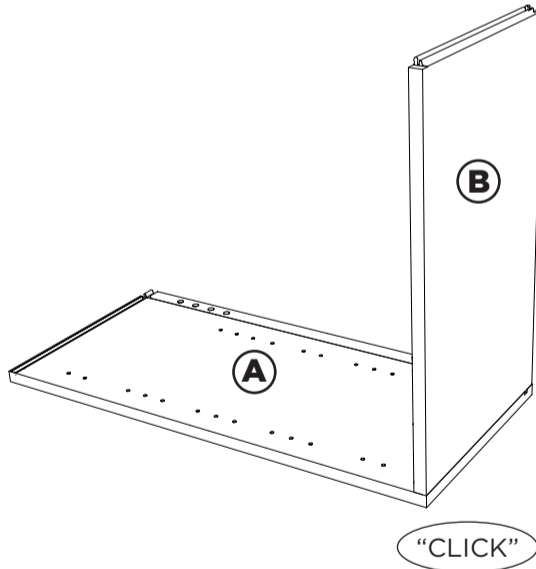
Assembly

1

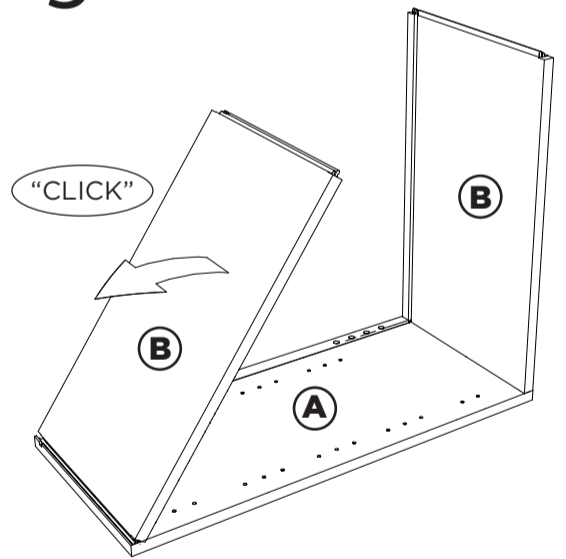
We recommend using PVA glue for an additional bond - simply run a bead of glue along each joint line during assembly



2

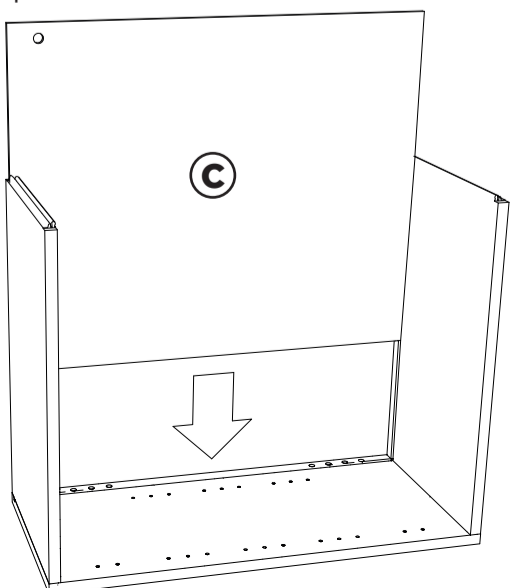


3



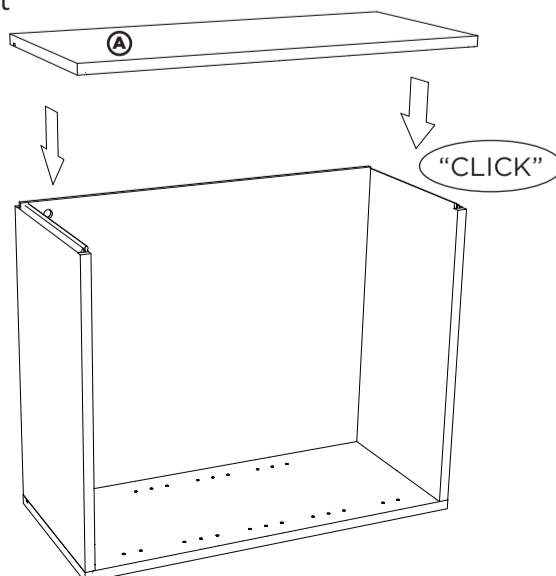
4

Slide back panel into place



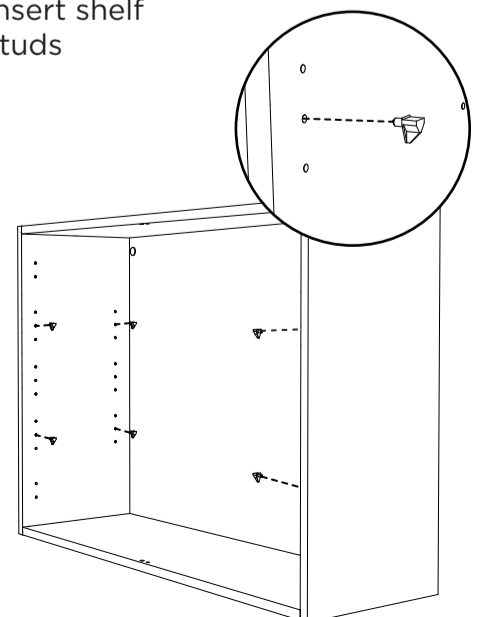
5

Press end panel A into top/bottom panels B and gently tap with a mallet



6

Insert shelf studs



7

Insert turnfaster fittings to inside base panel B

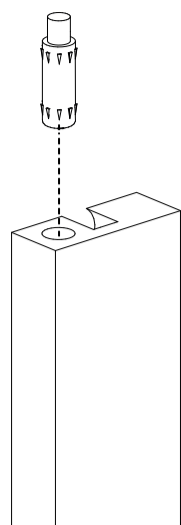


Rotate to lock in place

B

8

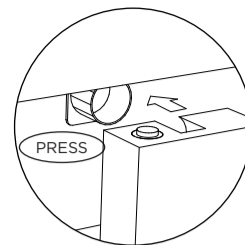
Press springfit dowels into top and bottom of centre mullion



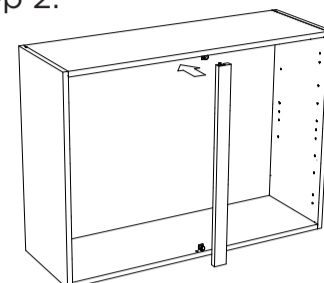
9

Once springlift dowels are pressed in slide centre mullion into place

Step 1.



Step 2.

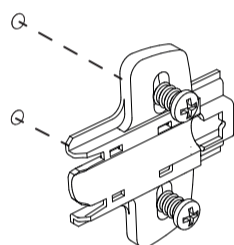


10

Attach hinge mounting plate to inside of end panel A

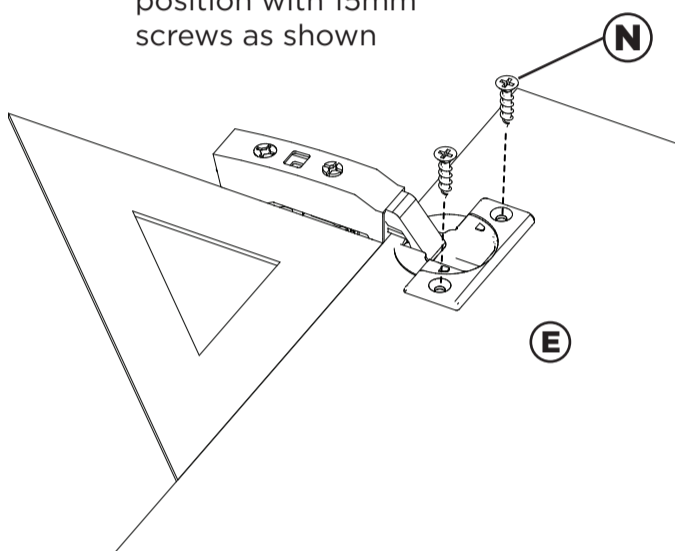
Ensure the front edge faces forward as shown

A

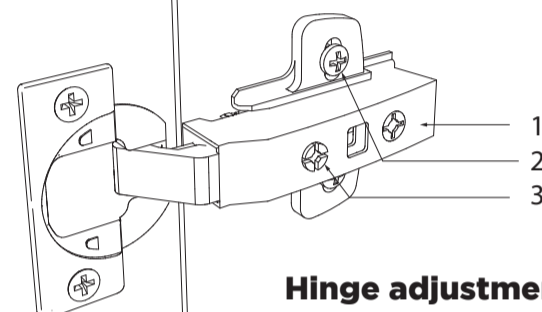


11

Ensure the hinge arm is at 90 degrees to the door before fixing in position with 15mm screws as shown



12

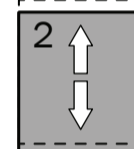
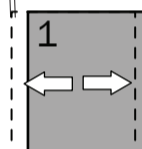


Hinge adjustment

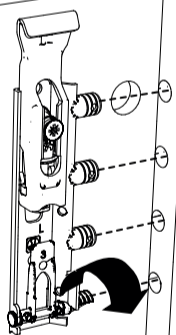
Side to Side

Height

Tilt



13



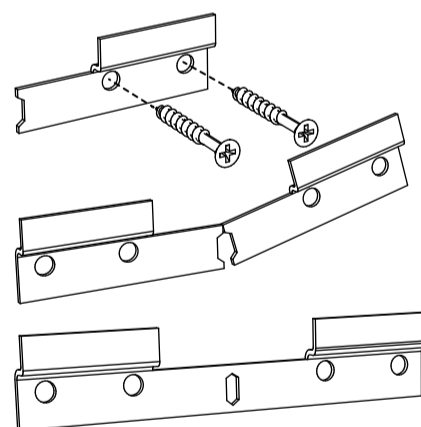
lower lever to lock bracket into position

14

Attach to wall using appropriate fittings

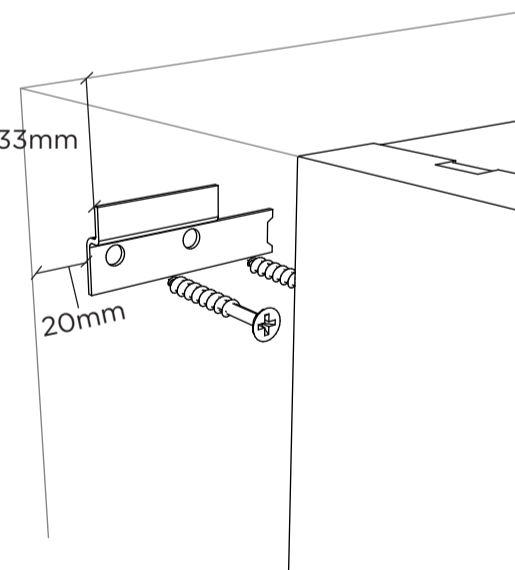
Please note, wall fixing screws are not supplied - these should be to suit your type of wall/house build. If in doubt please ask a professional for advice.

Wall plate position



33mm

20mm

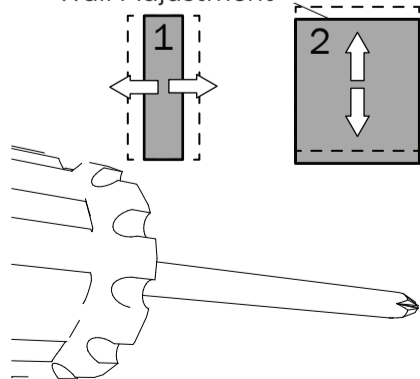


15

Distance From Wall Adjustment

Height

To Adjust Cabinet Position
Adjust lower screw first

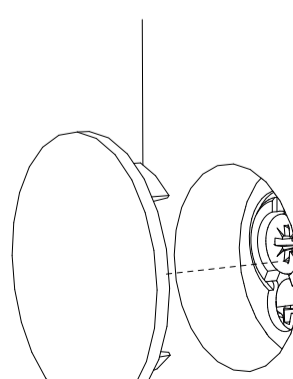


Distance from wall adjustment (1)

Height Adjustment (2)

16

Fit cover gap



17

Insert shelf studs x 10
Slide shelf D into position

