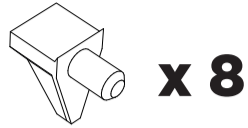
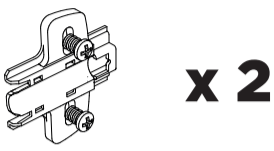


Fittings

Shelf Stud



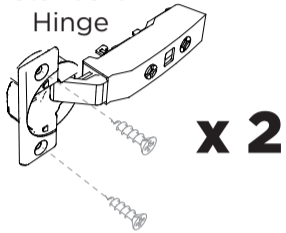
Hinge Mounting Plate



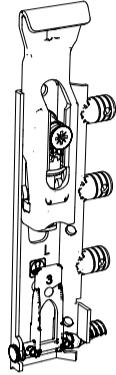
Cover Gap



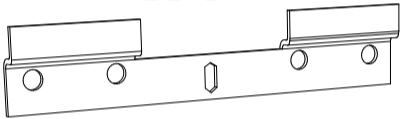
Standard Hinge



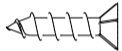
Cabinet Hanger
LH x 1
RH x 1



Wall Plate
x 1

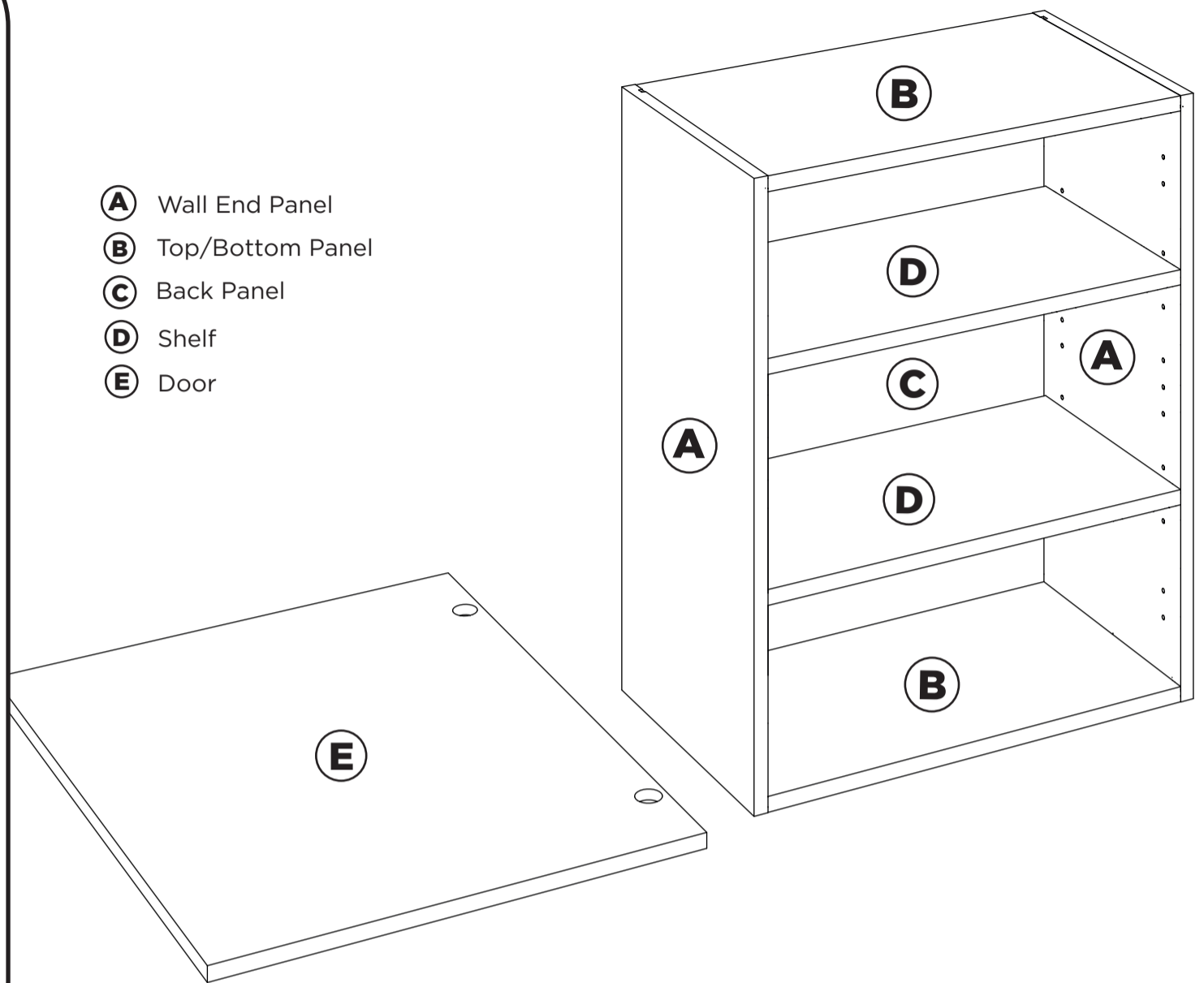


N 15mm
Screws



x 4

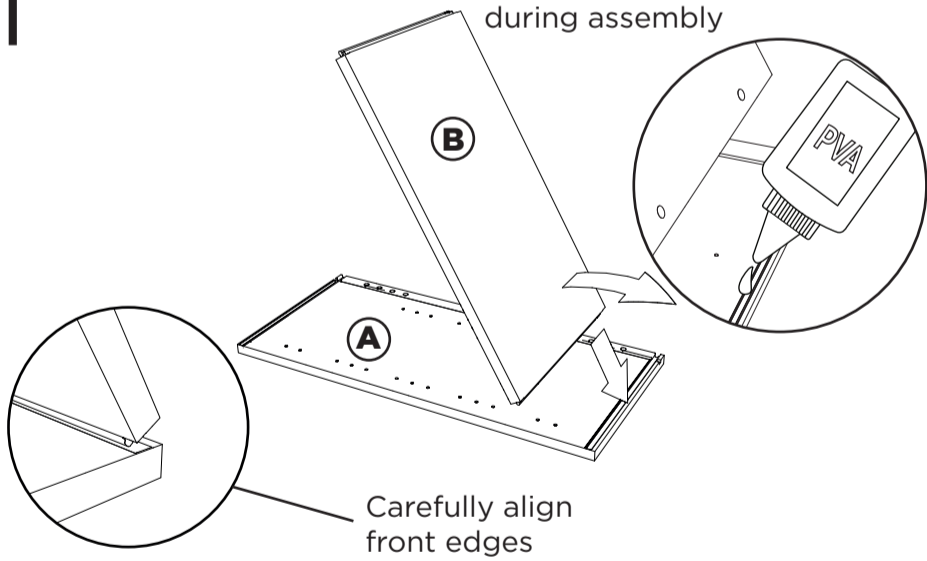
- (A) Wall End Panel
- (B) Top/Bottom Panel
- (C) Back Panel
- (D) Shelf
- (E) Door



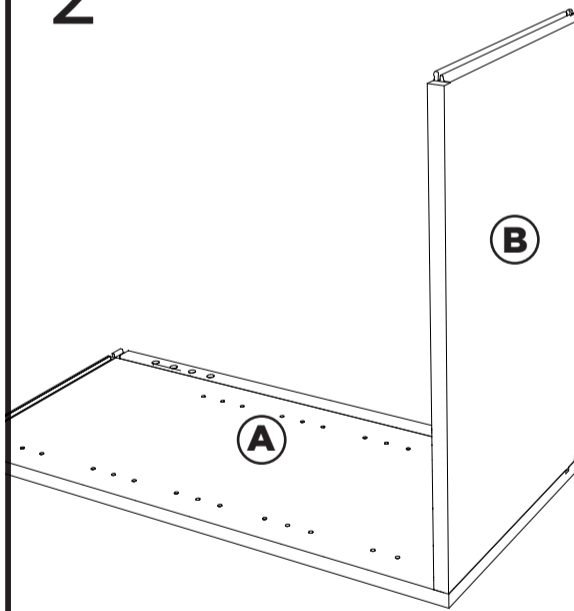
Assembly

We recommend using PVA glue for an additional bond - simply run a bead of glue along each joint line during assembly

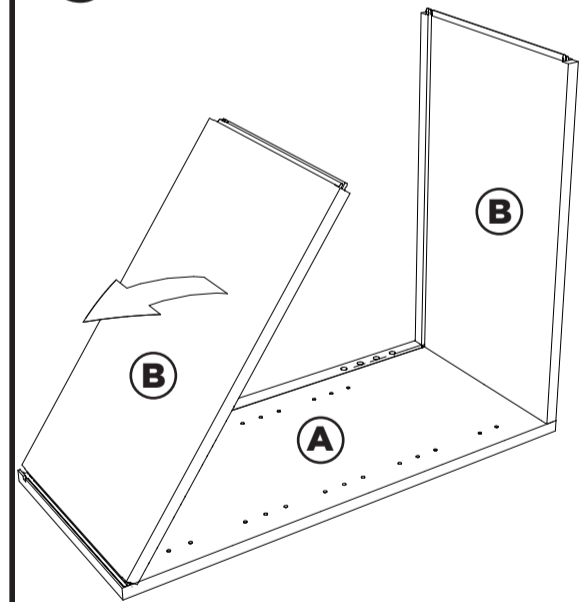
1



2

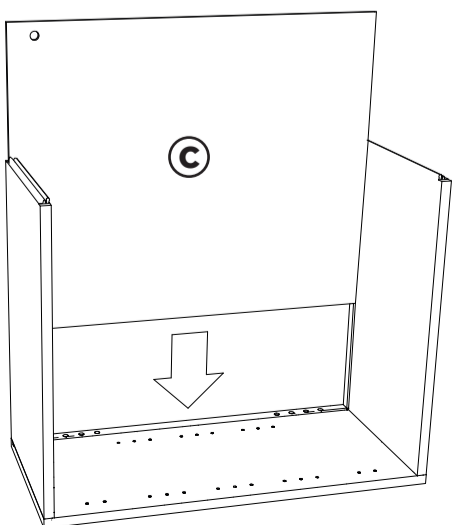


3



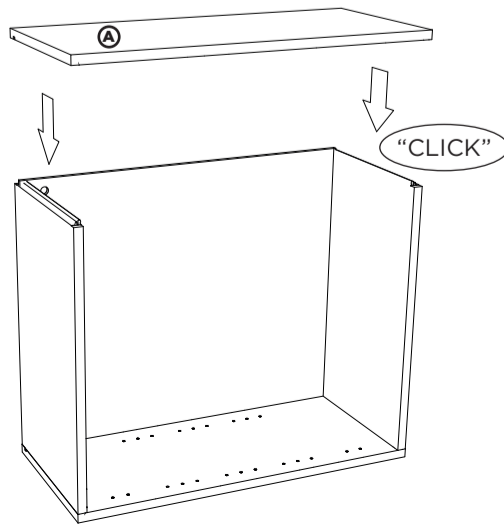
4

Slide back panel into place



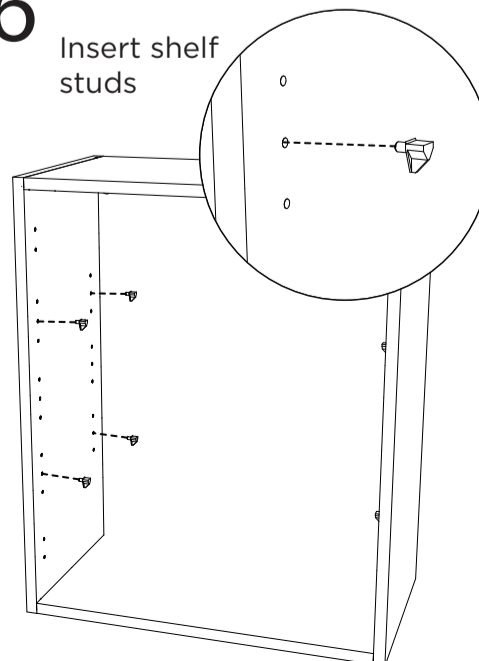
5

Press end panel A into top/bottom panels B and gently tap with a mallet



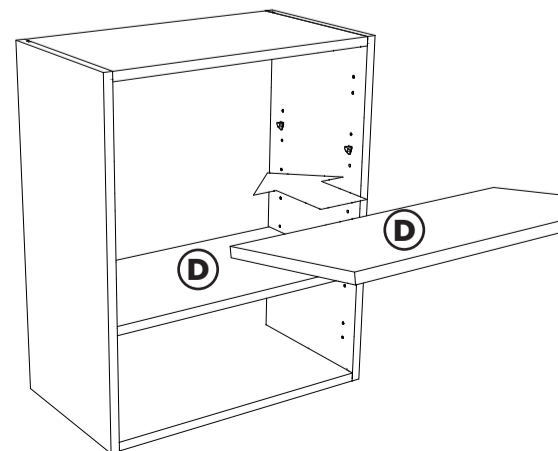
6

Insert shelf studs



7

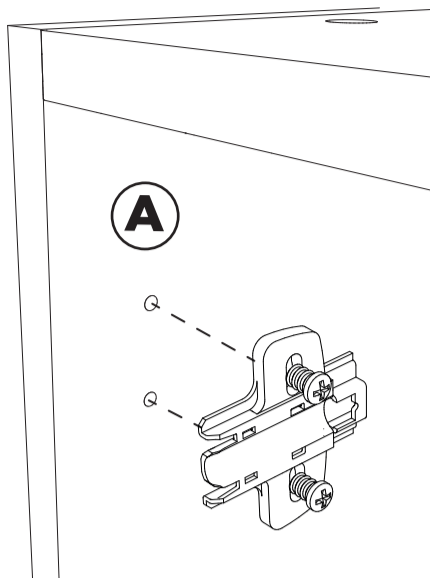
Slide shelf D into position



8

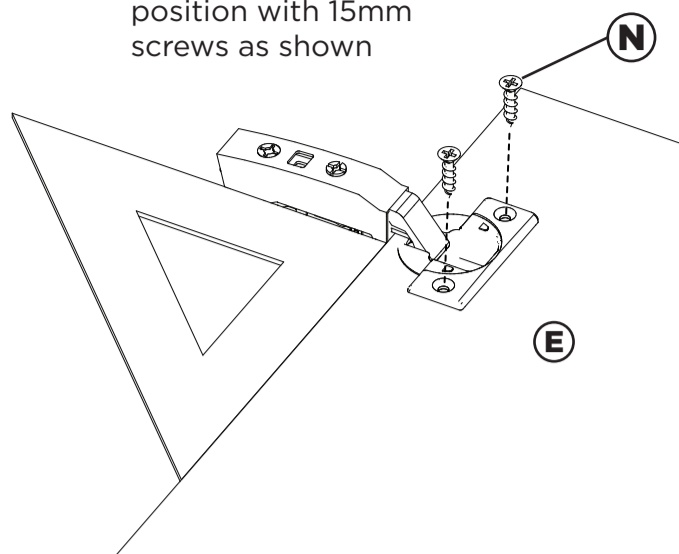
Attach hinge mounting plate to inside of end panel A

Ensure the front edge faces forward as shown

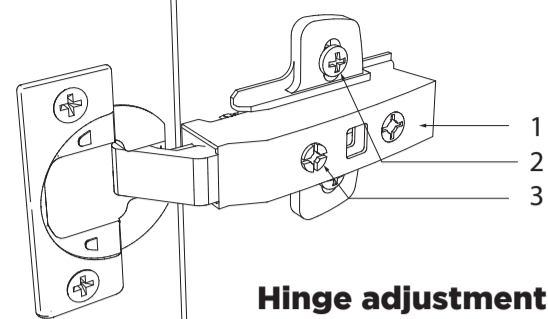


9

Ensure the hinge arm is at 90 degrees to the door before fixing in position with 15mm screws as shown



10

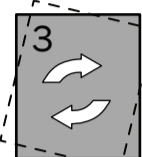
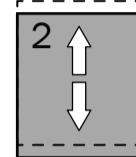
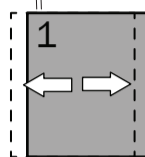


Hinge adjustment

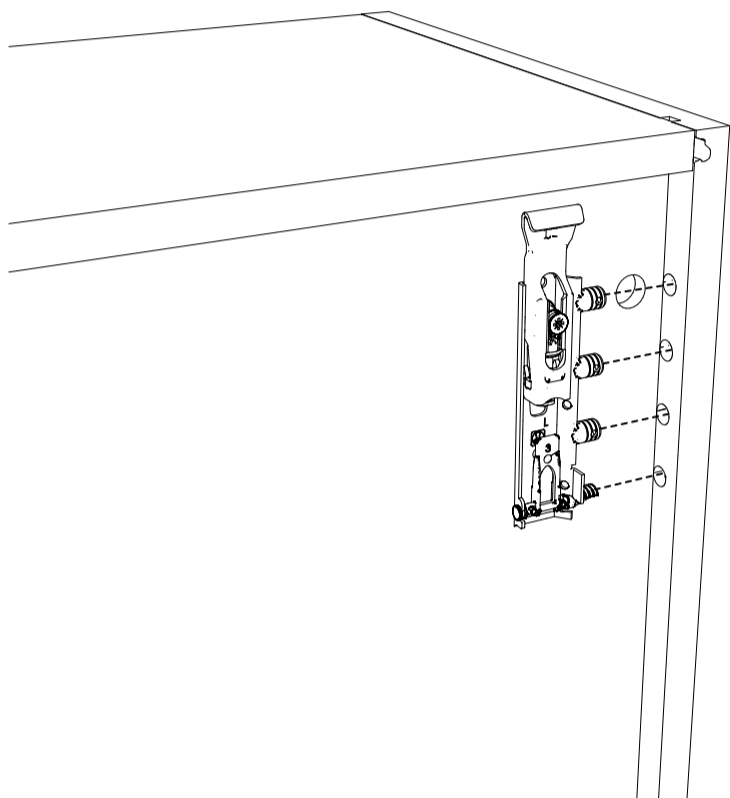
Side to Side

Height

Tilt

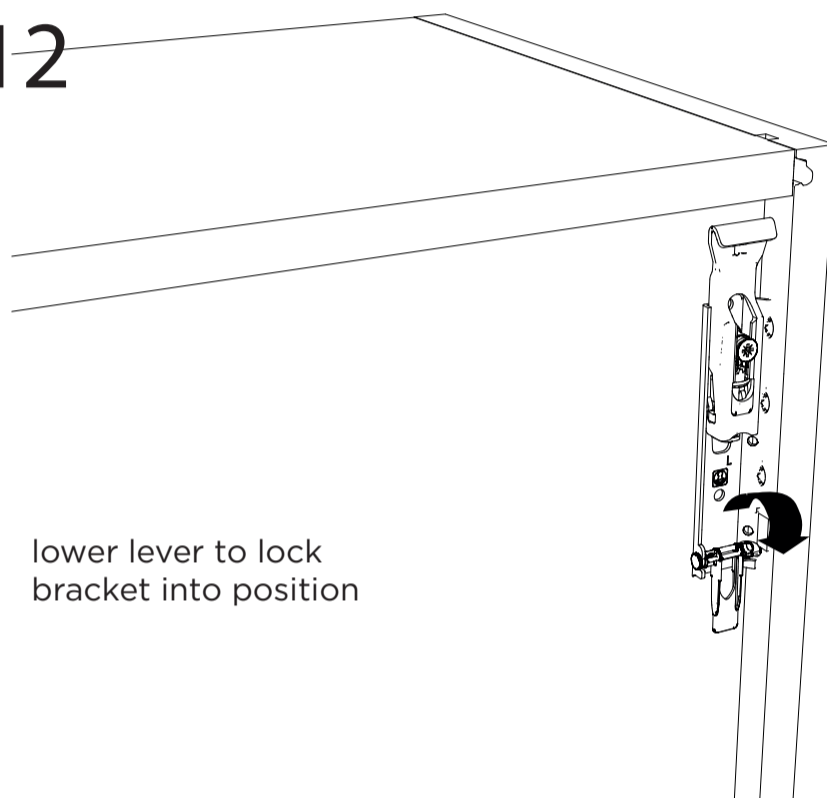


11



12

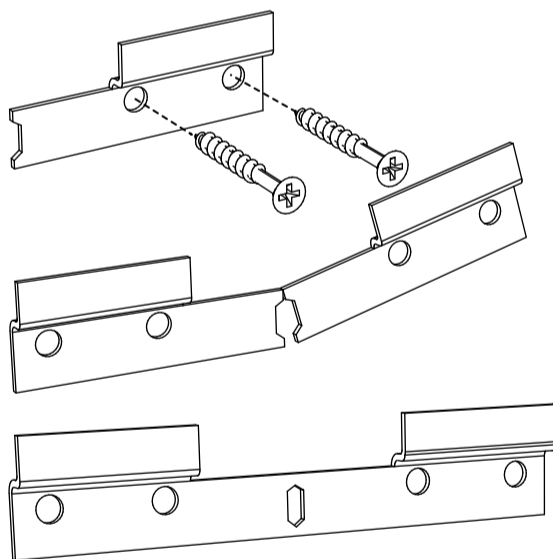
lower lever to lock bracket into position



13

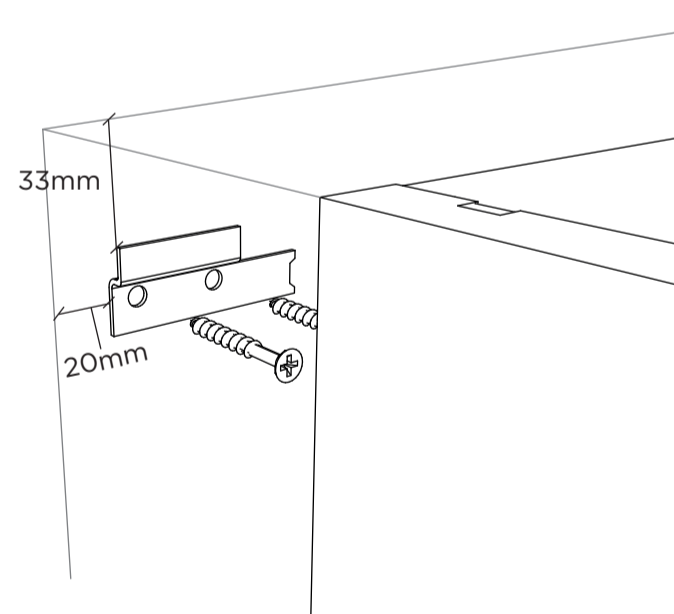
Attach to wall using appropriate fittings

Please note, wall fixing screws are not supplied - these should be to suit your type of wall/house build. If in doubt please ask a professional for advice.



33mm

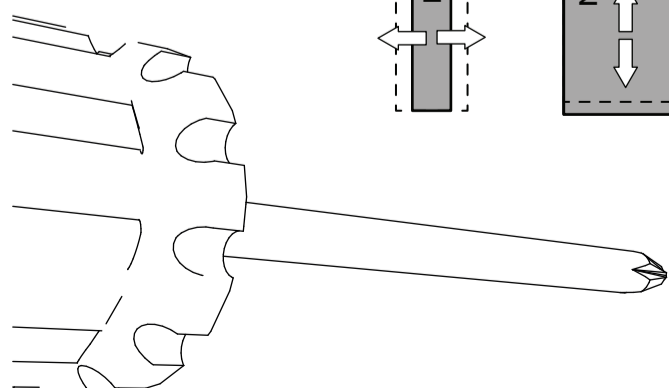
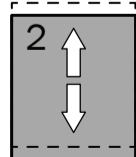
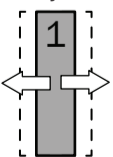
20mm



14

Distance From Wall Adjustment

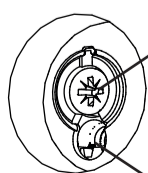
Height



To Adjust Cabinet Position
Adjust lower screw first

Distance from wall adjustment (1)

Height Adjustment (2)



15

Fit cover gap

