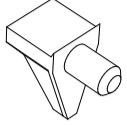


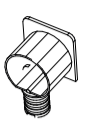
## Fittings

Shelf Stud



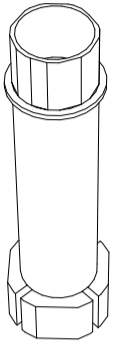
**x 5**

Turnfaster Fitting



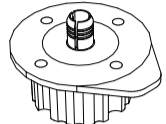
**x 2**

Adjustable Leg



**x 5**

Leg boss



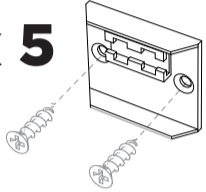
**x 5**

Springfit Dowel



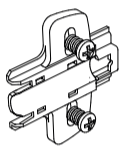
**x 2**

Plinth Clip



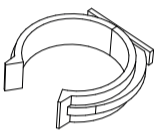
**x 2**

Hinge Mounting Plate



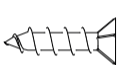
**x 4**

Circular Leg Clip



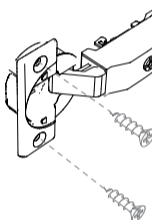
**x 2**

N 15mm Screws



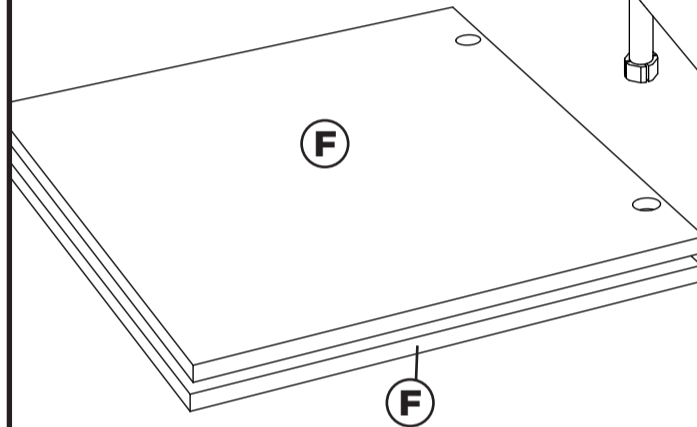
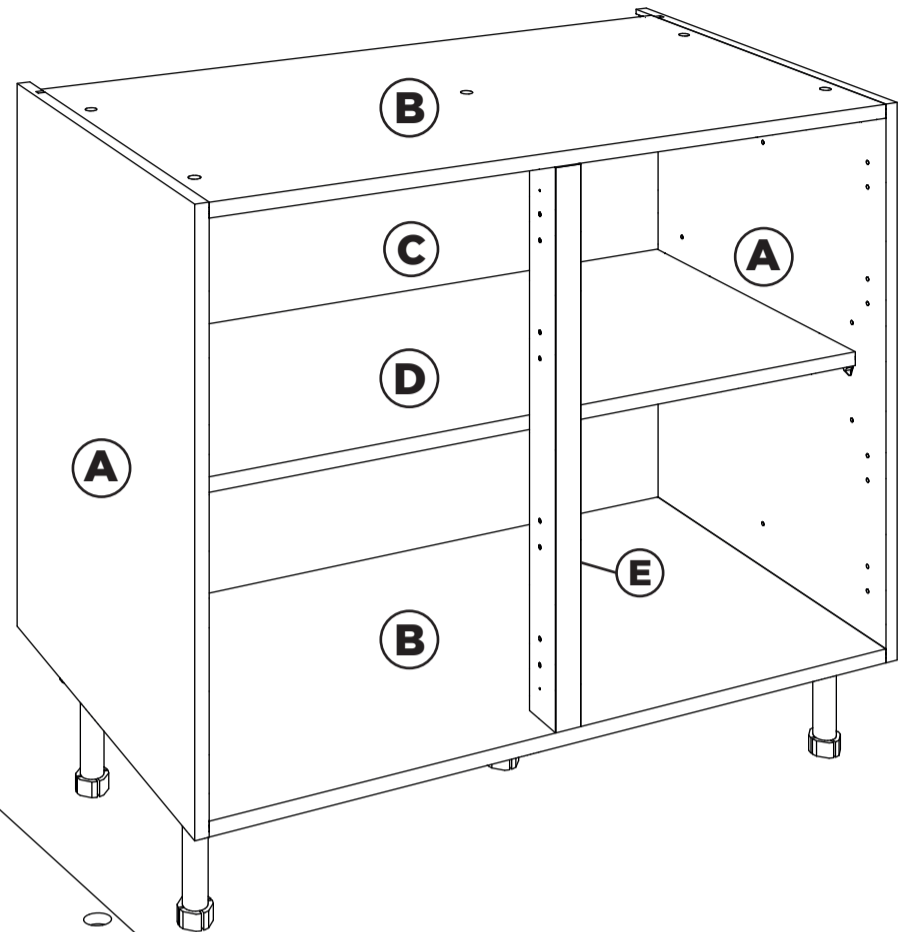
**x 12**

Standard Hinge



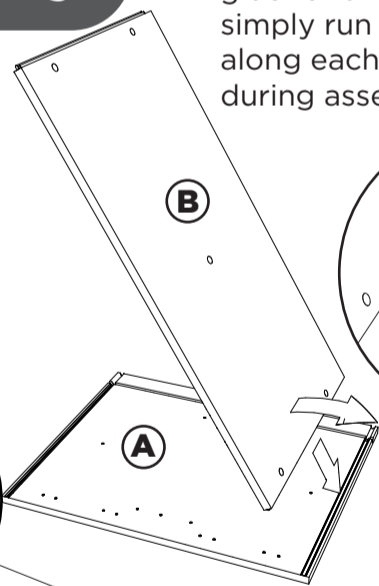
**x 4**

- (A) Base End Panel
- (B) Top/Bottom Panel
- (C) Back Panel
- (D) Shelf
- (E) Centre Mullion
- (F) Door

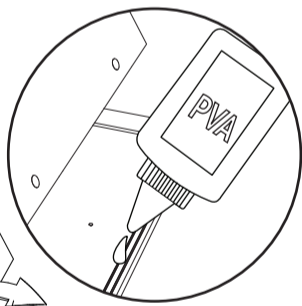


## Assembly

**1**

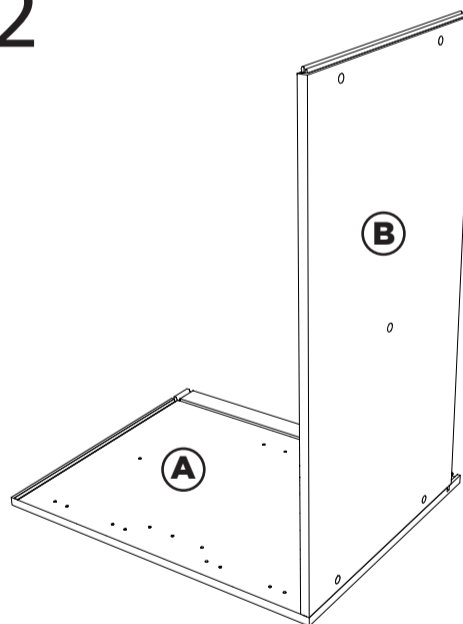


We recommend using PVA glue for an additional bond - simply run a bead of glue along each joint line during assembly

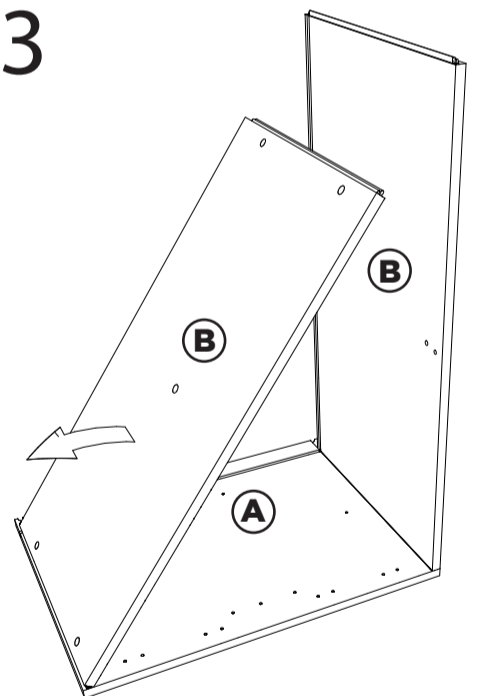


Carefully align front edges

**2**

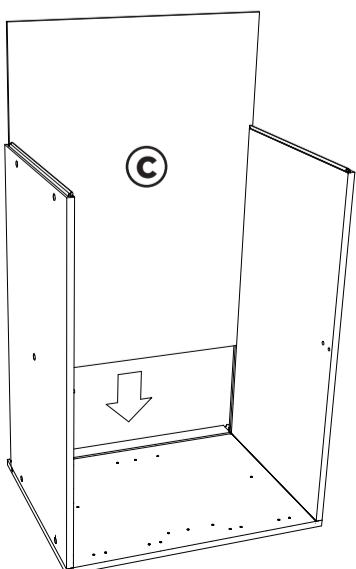


**3**



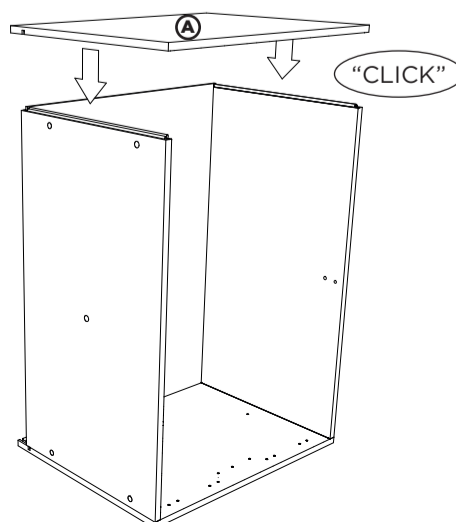
**4**

Slide back panel C into place



**5**

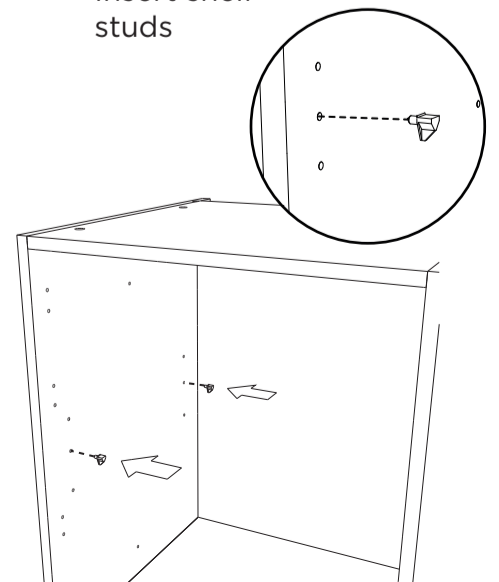
Press end panel A into top/bottom panels B and gently tap with a mallet



"CLICK"

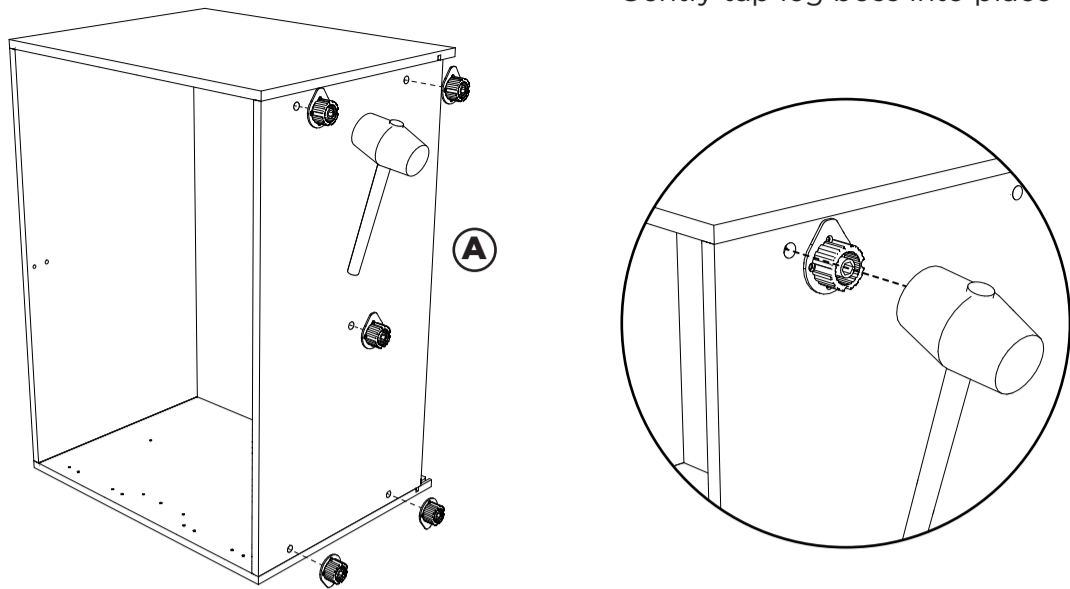
**6**

Insert shelf studs



7

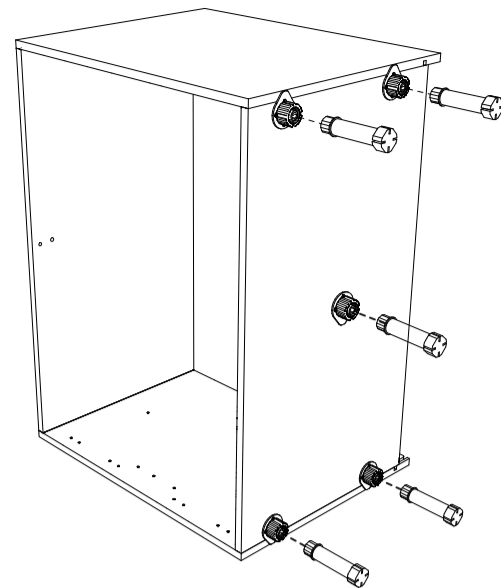
Gently tap leg boss into place



8

Insert adjustable legs into leg boss

Once assembled, measure and adjust feet to 150mm



9

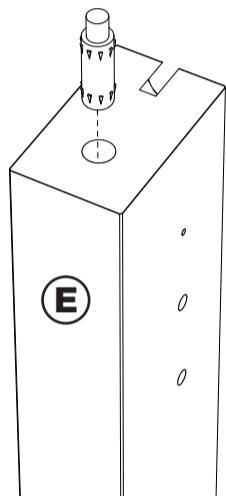
Insert turnfaster fittings to inside base panel B



Rotate to lock in place

10

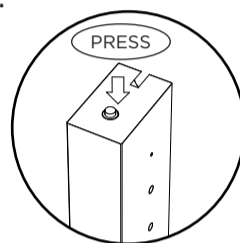
Press springfit dowels into top and bottom of centre mullion



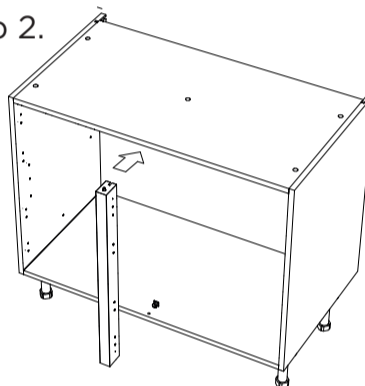
11

Once dowels are pressed in slide centre mullion into place

Step 1.

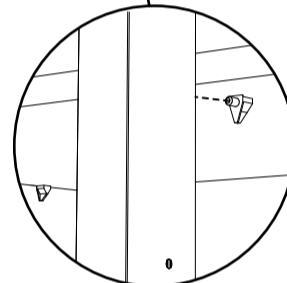
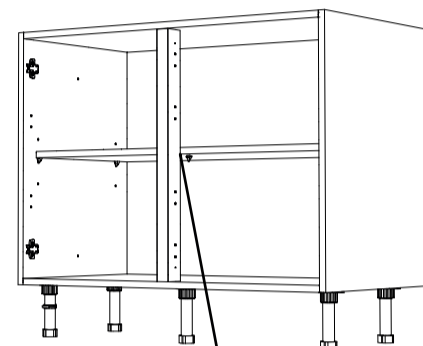


Step 2.



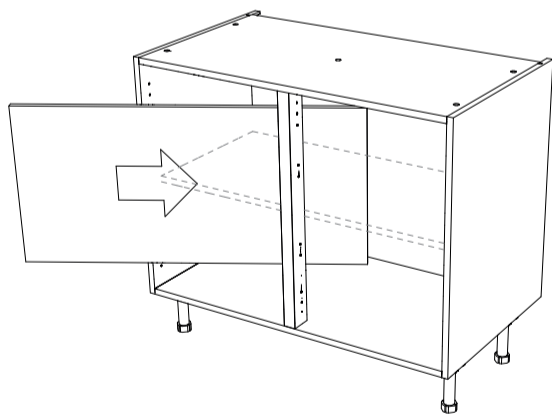
12

Insert shelf studs into centre mullion



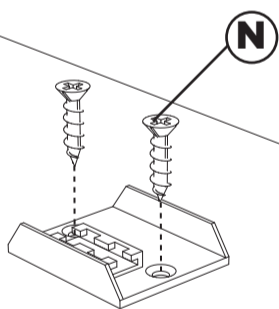
13

Slide shelf D into position



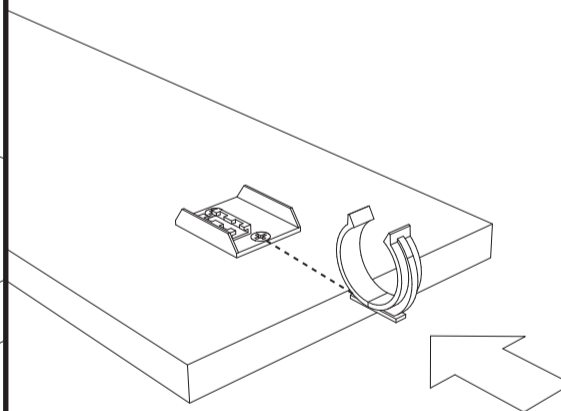
14

Attach plinth clip to plinth



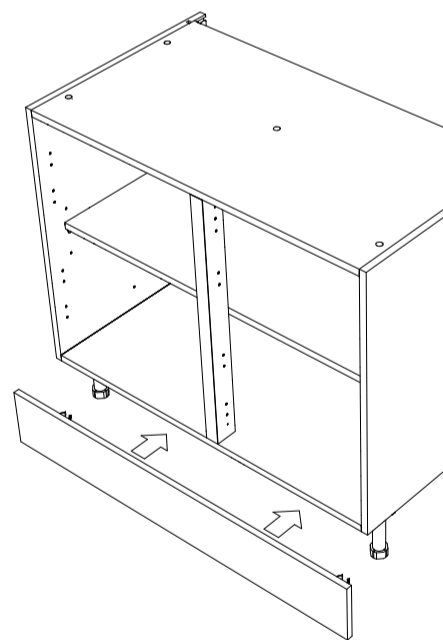
15

Slide circular leg clip into plate



16

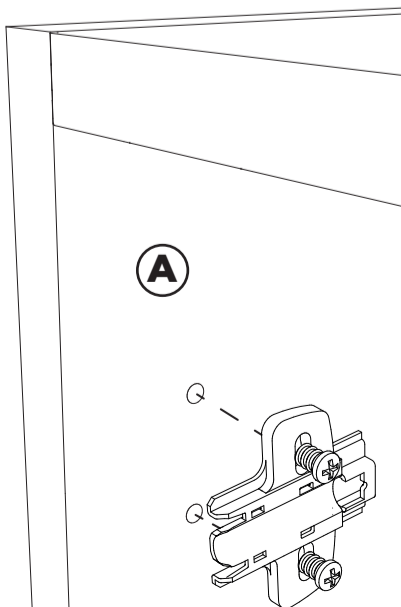
Fix plinth into place



17

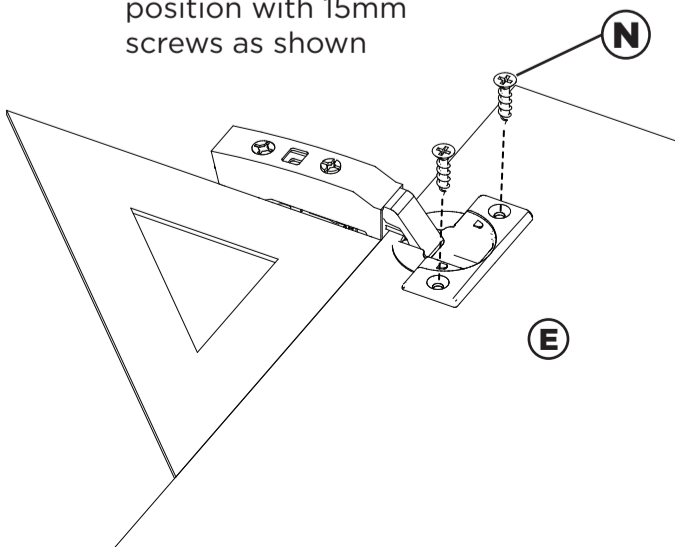
Attach hinge mounting plate to inside of end panel A

Ensure the front edge faces forward as shown

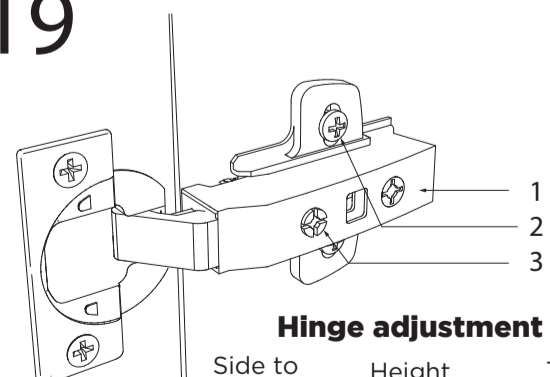


18

Ensure the hinge arm is at 90 degrees to the door before fixing in position with 15mm screws as shown



19



Hinge adjustment

